

交流接触器

AC Contactor

Ex9CSR06 ~ 12可逆交流接触器

Ex9CSR06 ~ 12 Reversible AC Contactor



符合IEC 60947-4-1、GB 14048.4

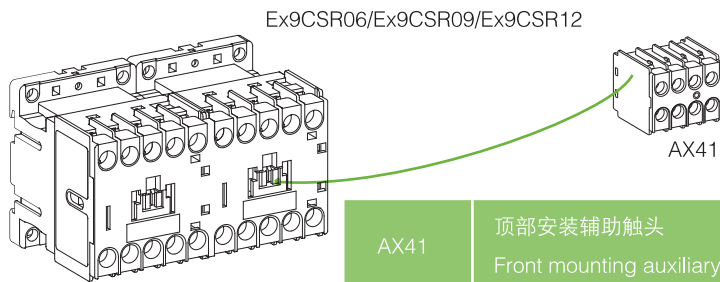
Confirm to IEC 60947-4-1、GB 14048.4

未按本说明书要求操作造成的不良后果，制造商将不承担责任。

The manufacturer assumes no responsibility for unfavourable consequence resulting from the non-application or incorrect application of the instructions provided herein.

NOARK 诺雅克

A 总装图 Assembly map

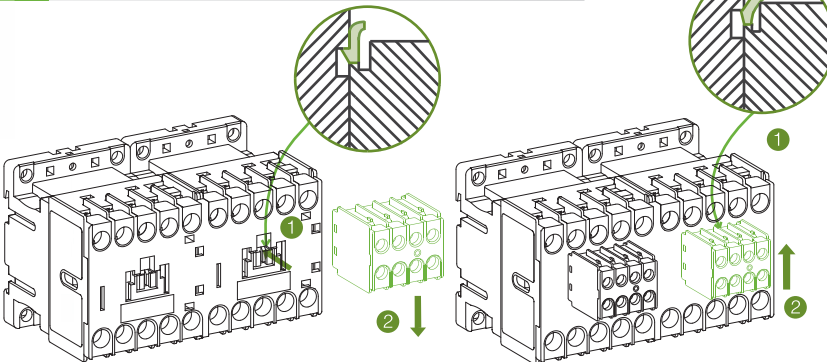


AX41

顶部安装辅助触头

Front mounting auxiliary contact block

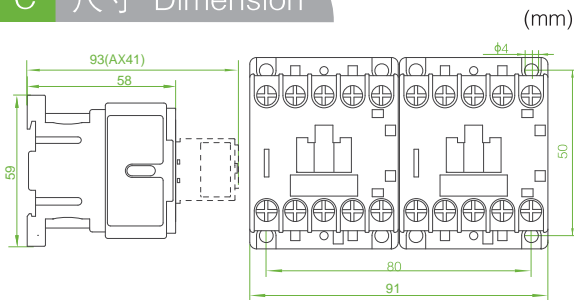
B 附件安装 Accessories installation



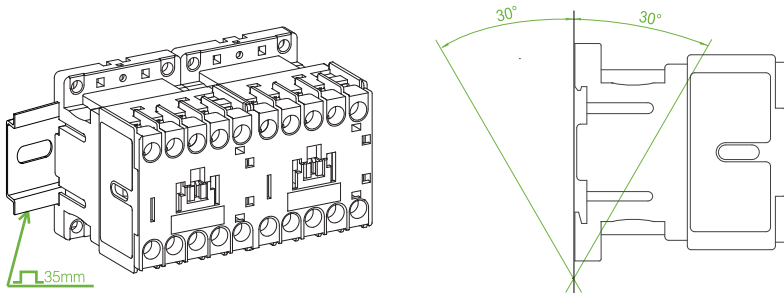
顶部安装辅助触头的安装
Installation of front mounting auxiliary contact block

顶部安装辅助触头的拆卸
Uninstallation of front mounting auxiliary contact block

C 尺寸 Dimension



D 安装 Installation



E 其他要求 Other requirements

环境温度

Environmental temperature

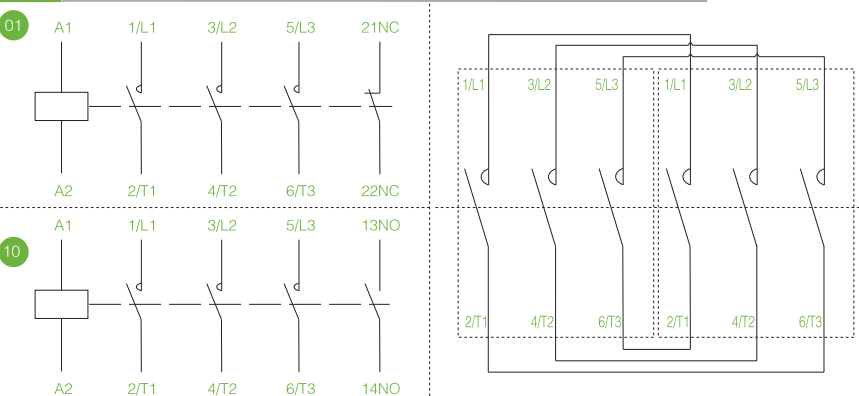
贮存 / ° C Storage	- 60~+ 80
工作 / ° C Normal operation	- 5~+ 60
允许 / ° C Permission	- 40~+ 70, 用于在 U _c 下工作 Working without derating

储存要求

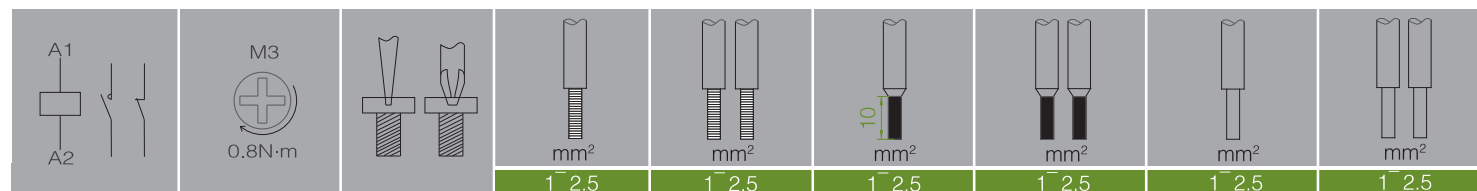
Storage requirements

产品储存超过半年时，使用前应对其进行检查。
If the product would be stored for more than six month, you should check it before use.

F 电气图&接线图 Electrical&Wiring circuit



G 拧紧力矩及接线能力 Tightening torque and connection



上海诺雅克电气有限公司

NOARK Electrics (Shanghai) Co., Ltd.

地址：上海市松江区文台路855号

Add: 855 Wenhe Road, Songjiang District, Shanghai

电话：+86-021-3779 1111

Tel: +86-021-3779 1111

客服热线：(Customer Service Hotline)

400-1092-111



采用环保纸印刷

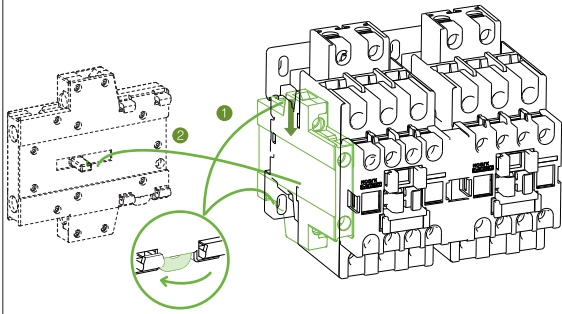
Printed with environmentally-friendly paper

本说明书解释权归NOARK所有。

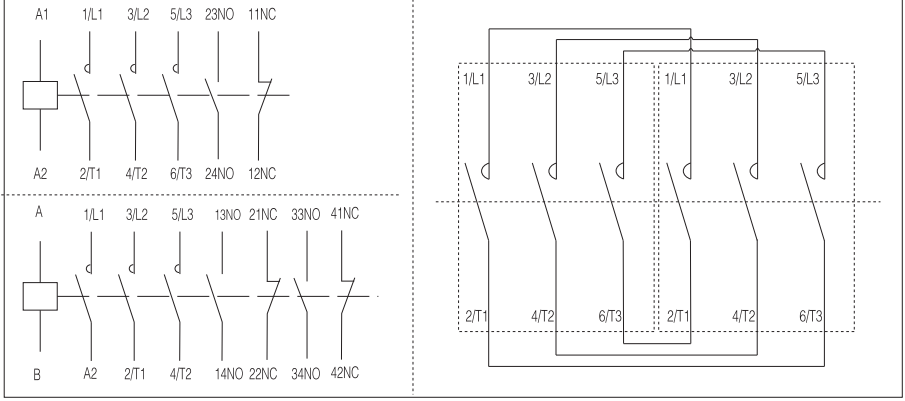
The expression right of the instructions are owned by NOARK.

侧部安装辅助触头的拆卸

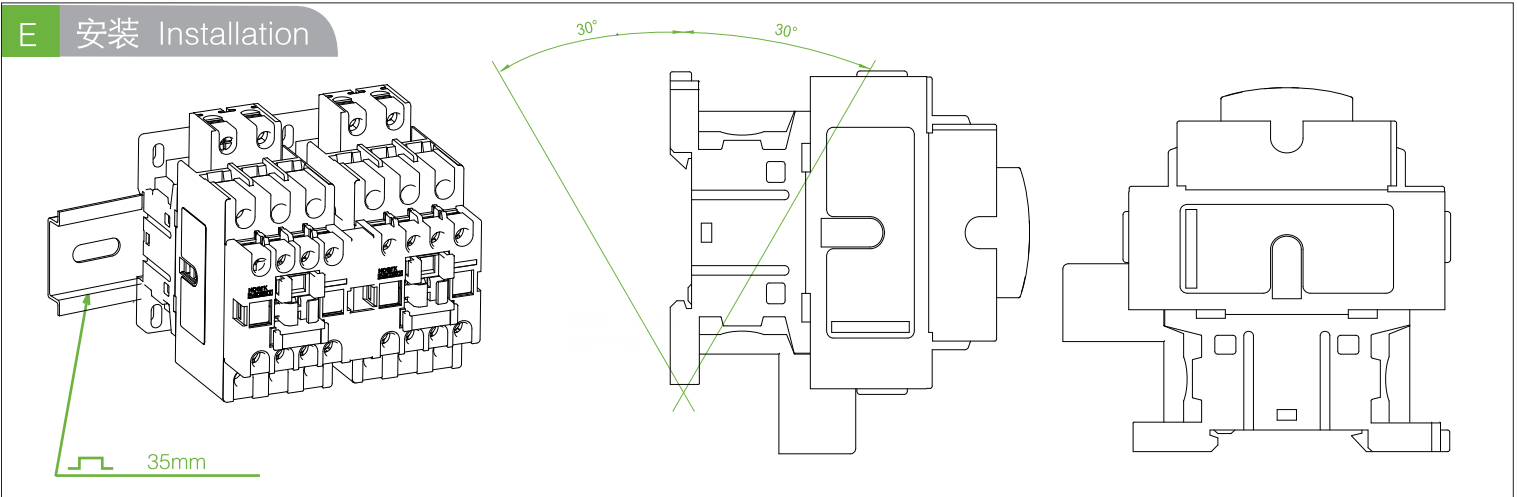
Uninstallation of front mounting auxiliary contact block



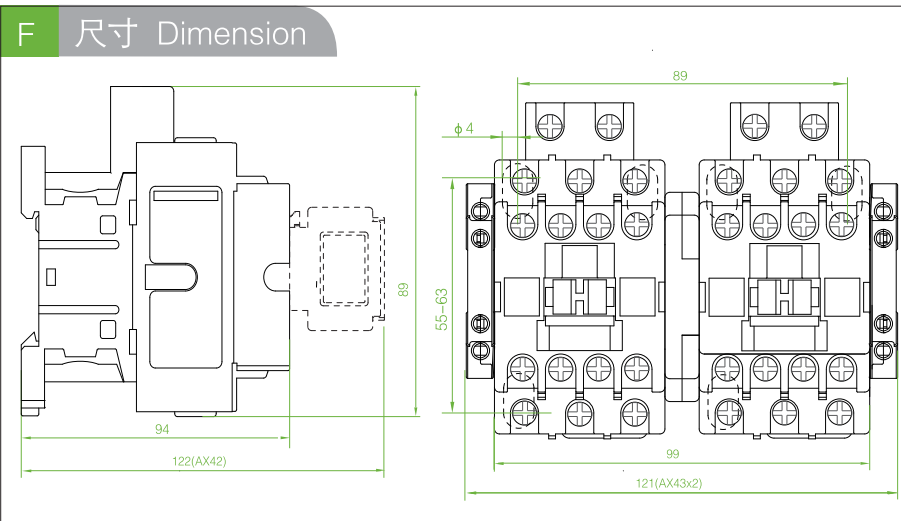
D 电气图&接线图 Electrical&Wiring circuit



E 安装 Installation



F 尺寸 Dimension



G 其他要求 Other requirements

环境温度 Environmental temperature

贮存 / °C Storage	-60~+80
工作 / °C Normal operation	-5~+60
允许 / °C Permission	-40~+70, 用于在 U _c 下工作 Working without derating

储存要求 Storage requirements

产品储存超过半年时, 使用前应对其进行检查。
If the product would be stored for more than six months, you should check it before use.

H 拧紧力矩及接线能力 Tightening torque and connection

	M3.5 1.7N·m							
			mm ²	mm ²	mm ²	mm ²	mm ²	mm ²
			1.5-6	1.5-6	1-6	1-4	1.5-6	1.5-6
	M3.5 1.7N·m							
			mm ²	mm ²	mm ²	mm ²	mm ²	mm ²
			1-4	1-4	1-4	1-2.5	1-4	1-4

上海诺雅克电气有限公司 NOARK Electrics (Shanghai) Co., Ltd.
地址: 上海市松江区文合路855号 Add: 855 Wenhe Road, Songjiang District, Shanghai
电话: +86-021-3779 1111 Tel: +86-021-3779 1111

客服热线: (Customer Service Hotline) 400-1092-111



采用环保纸印刷
Printed with environmentally-friendly paper

本说明书解释权归NOARK所有。
The expression right of the instructions are owned by NOARK.

交流接触器

AC Contactor

ExCR25~38交流接触器
ExCR25~38 AC Contactor



符合IEC 60947-4-1、GB 14048.4

Confirm to IEC 60947-4-1、GB 14048.4

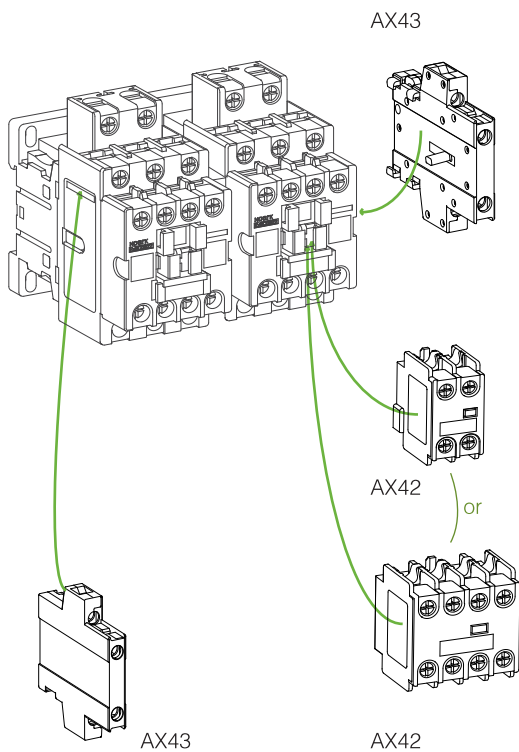
未按本说明书要求操作造成的不良后果，制造商将不承担责任。

The manufacturer assumes no responsibility for unfavourable consequence resulting from the non-application or incorrect application of the instructions provided herein.

NOARK 诺雅克

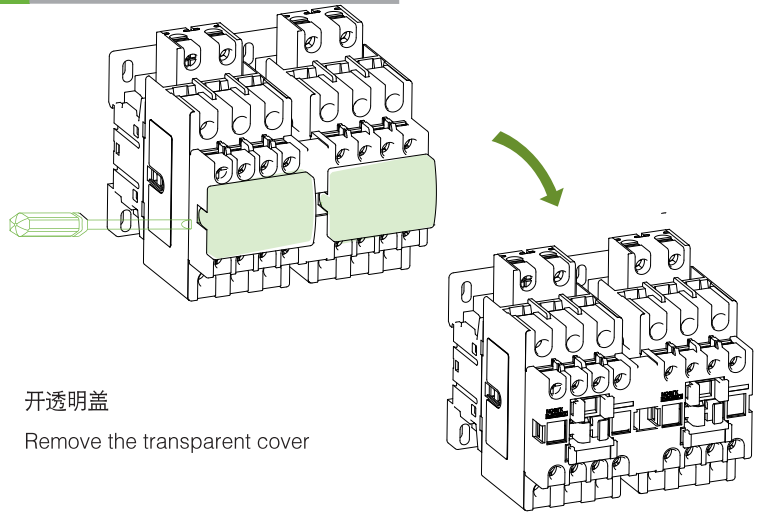
A 总装图 Assembly map

Ex9CR25/Ex9CR32/ Ex9CR38



AX42	顶部安装辅助触头 Front mounting auxiliary contact block
AX43	侧部安装辅助触头 Side mounting auxiliary contact block

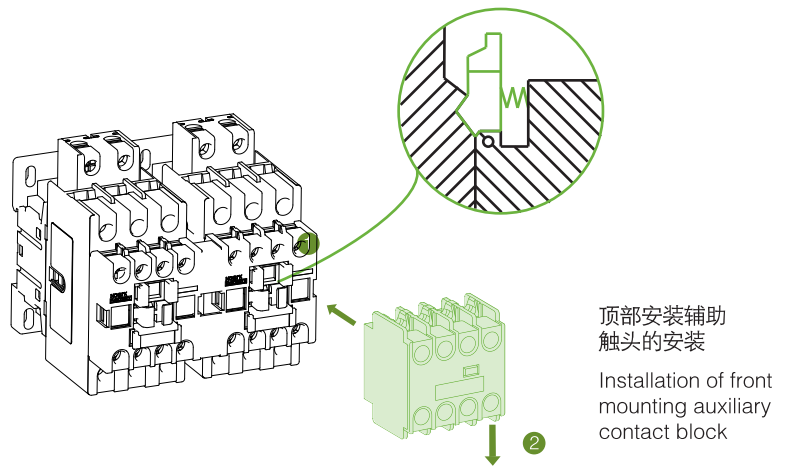
B 开盖 Remove the cover



开透明盖

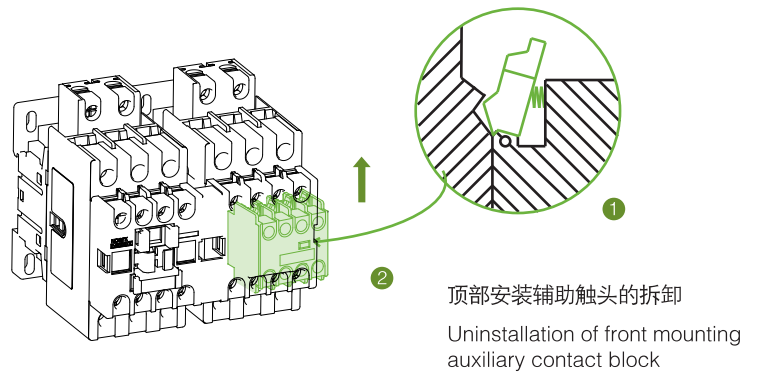
Remove the transparent cover

C 附件安装 Accessories installation



顶部安装辅助触头的安装

Installation of front mounting auxiliary contact block

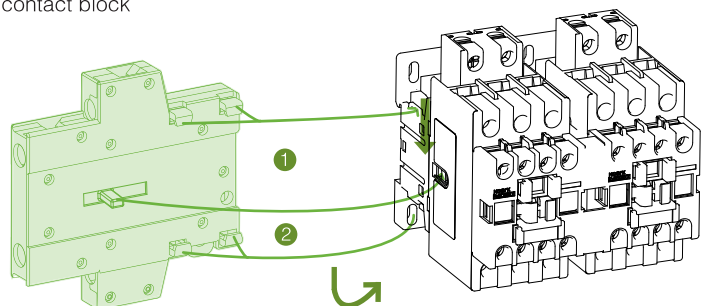


顶部安装辅助触头的拆卸

Uninstallation of front mounting auxiliary contact block

侧部安装辅助触头的安装

Installation of front mounting auxiliary contact block



Ex9CR40~65交流接触器
Ex9CR40~65 AC Contactor



符合IEC 60947-4-1、GB 14048.4

Confirm to IEC 60947-4-1、GB 14048.4

未按本说明书要求操作造成的不良后果，制造商将不承担责任。

The manufacturer assumes no responsibility for unfavourable consequence resulting from the non-application or incorrect application of the instructions provided herein.

NOARK 诺雅克

A 总装图 Assembly map

Ex9CR40/Ex9CR50/Ex9CR65

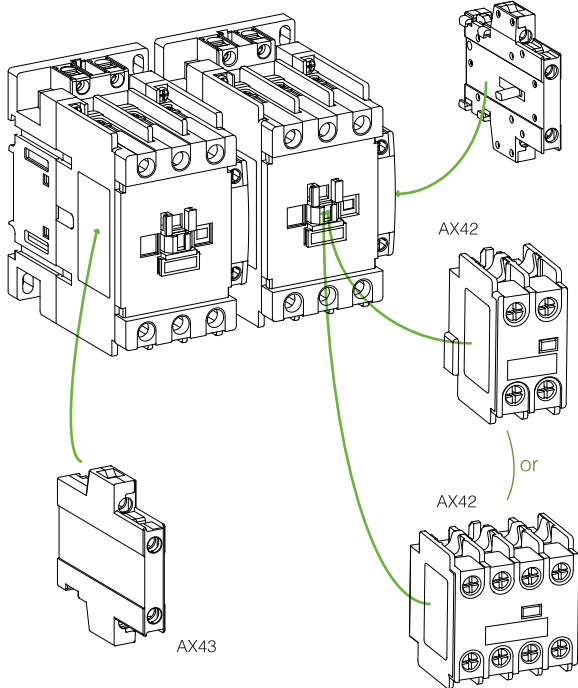
AX43

AX42

AX42

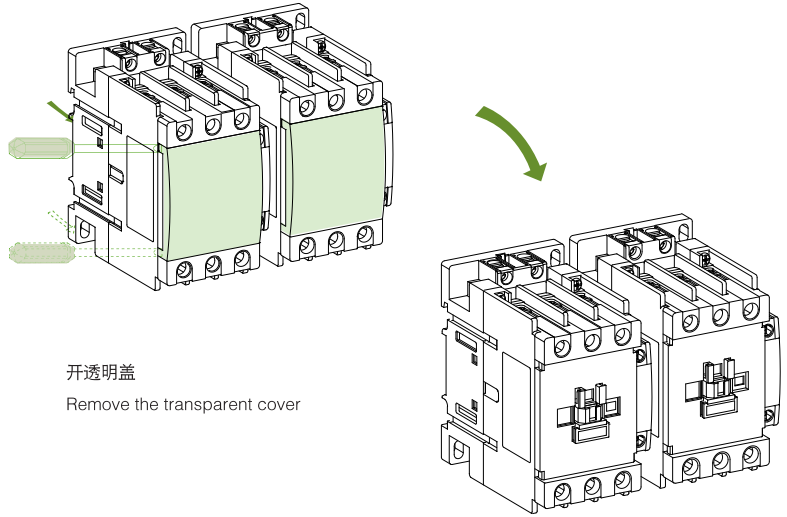
or

AX43



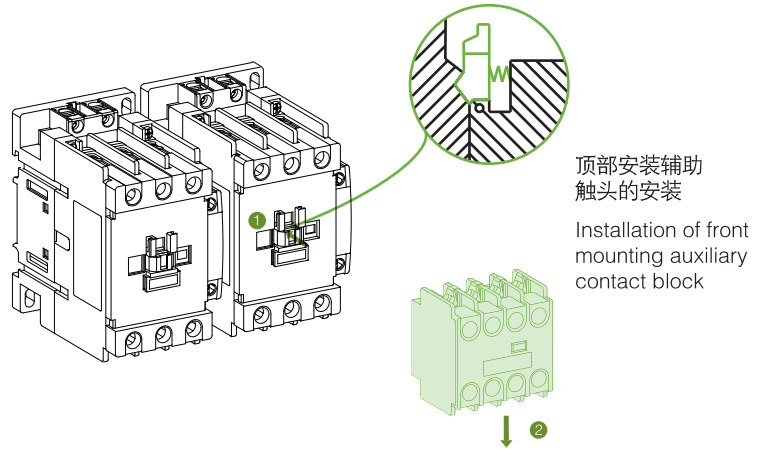
AX42	顶部安装辅助触头 Front mounting auxiliary contact block
AX43	侧面安装辅助触头 Side mounting auxiliary contact block

B 开盖 Remove the cover

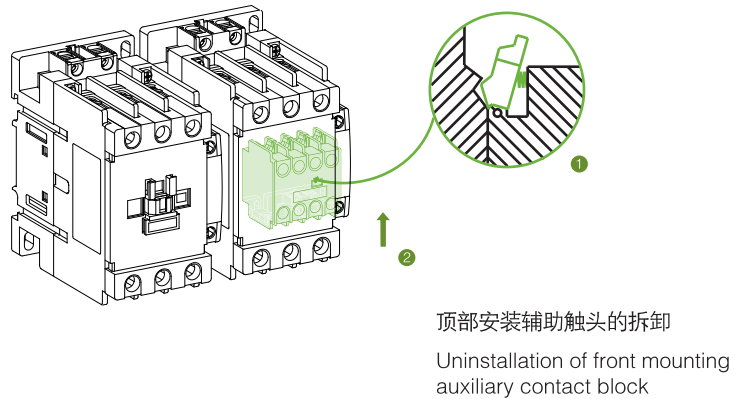


开透明盖
Remove the transparent cover

C 附件安装 Accessories installation

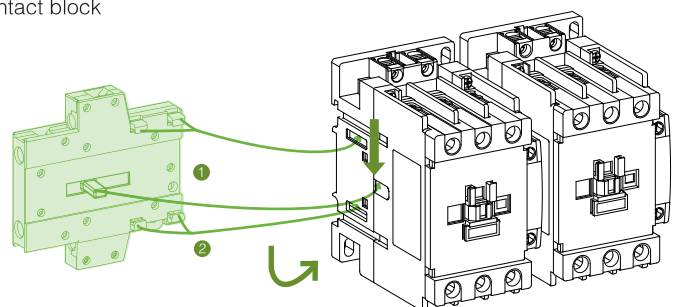


顶部安装辅助触头的安装
Installation of front mounting auxiliary contact block



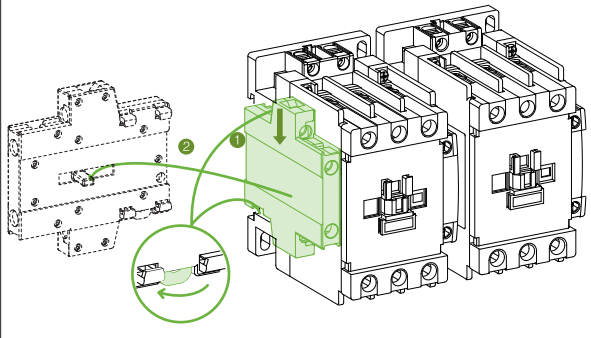
顶部安装辅助触头的拆卸
Uninstallation of front mounting auxiliary contact block

侧面安装辅助触头的安装
Installation of front mounting auxiliary contact block

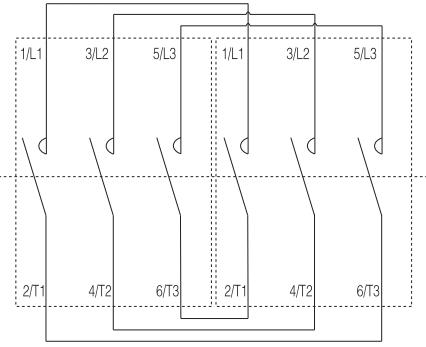
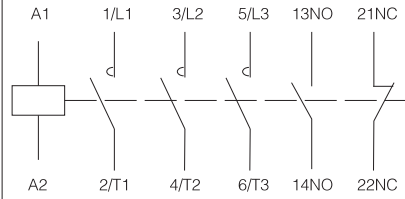


侧部安装辅助触头的拆卸

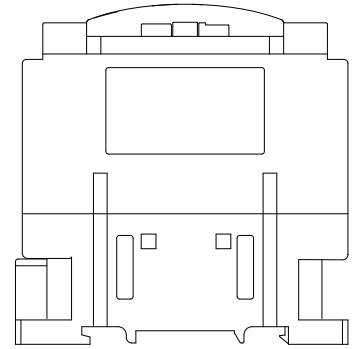
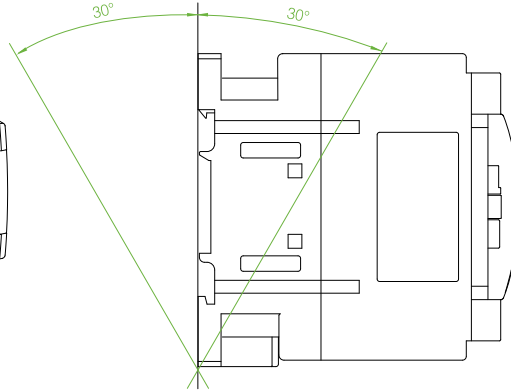
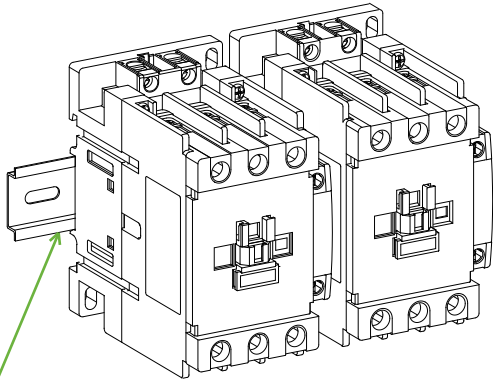
Uninstallation of front mounting auxiliary contact block



D 电气图&接线图 Electrical&Wiring circuit

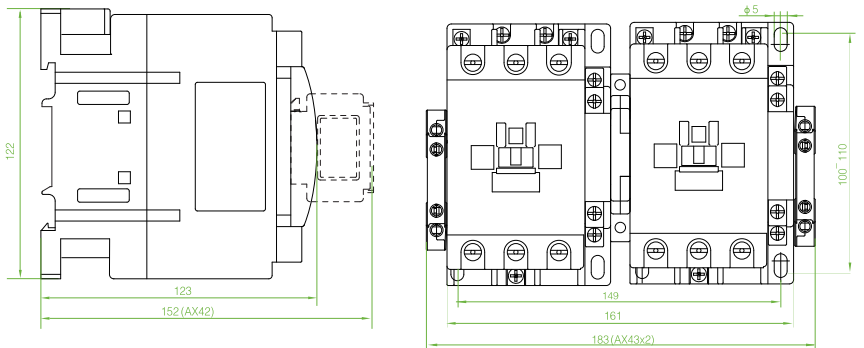


E 安装 Installation



35mm/75mm

F 尺寸 Dimension



G 其他要求 Other requirements

环境温度

Environmental temperature

贮存 /° C Storage	-60~+80
工作 /° C Normal operation	-5~+60
允许 /° C Permission	-40~+70, 用于在 U_c 下工作 Working without derating

储存要求

Storage requirements

产品储存超过半年时, 使用前应对其进行检查。

If the product would be stored for more than six months, you should check it before use.

H 拧紧力矩及接线能力 Tightening torque and connection

	M8 6N·m							
			mm²	mm²	mm²	mm²	mm²	mm²
			2.5~25	2.5~25	2.5~25	2.5~25	2.5~25	2.5~25
	M3.5 1.7N·m							
			mm²	mm²	mm²	mm²	mm²	mm²
			1~4	1~4	1~4	1~2.5	1~4	1~4

上海诺雅克电气有限公司

NOARK Electrics (Shanghai) Co., Ltd.

地址: 上海市松江区文合路855号

Add: 855 Wenhe Road, Songjiang District, Shanghai

电话: +86-021-3779 1111

Tel: +86-021-3779 1111

客服热线: (Customer Service Hotline)

400-1092-111



采用环保纸印刷

Printed with environmentally-friendly paper

本说明书解释权归NOARK所有。

The expression right of the instructions are owned by NOARK.

Ex9CR80~100 交流接触器
Ex9CR80~100 AC Contactor



Confirm to IEC 60947-4-1、GB 14048.4

未按本说明书要求操作造成的不良后果，制造商将不承担责任。

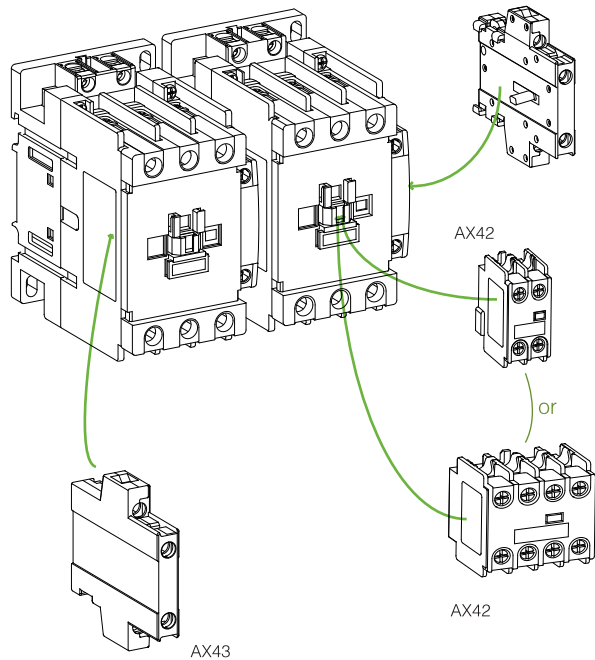
The manufacturer assumes no responsibility for unfavourable consequence resulting from the non-application or incorrect application of the instructions provided herein.

NOARK 诺雅克

A 总装图 Assembly map

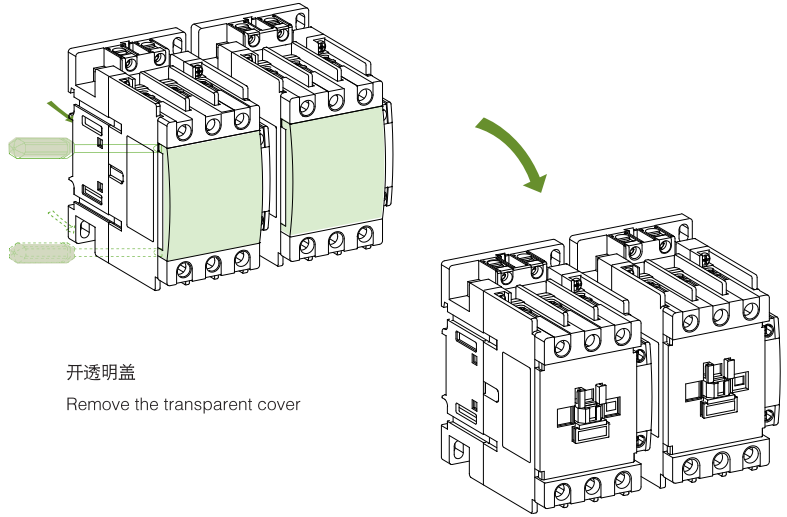
Ex9CR80/Ex9CR100

AX43



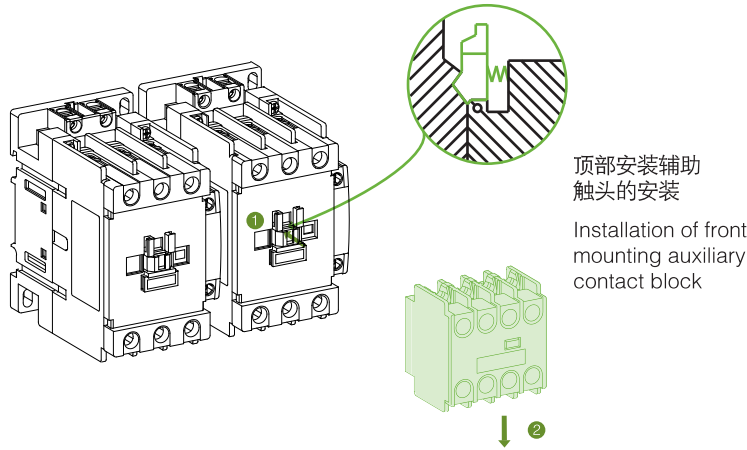
AX42	顶部安装辅助触头 Front mounting auxiliary contact block
AX43	侧部安装辅助触头 Side mounting auxiliary contact block

B 开盖 Remove the cover

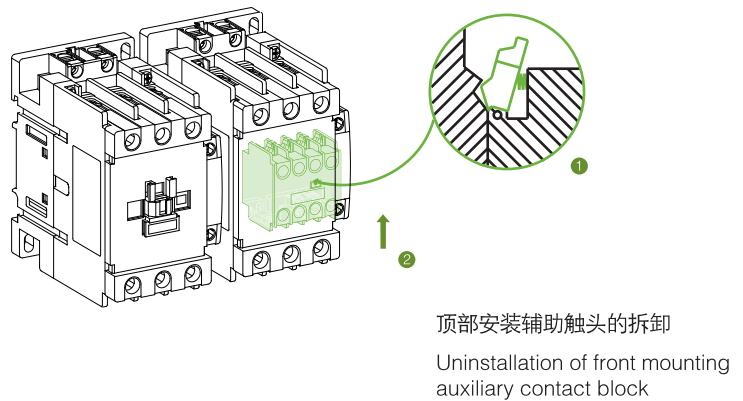


开透明盖
Remove the transparent cover

C 附件安装 Accessories installation

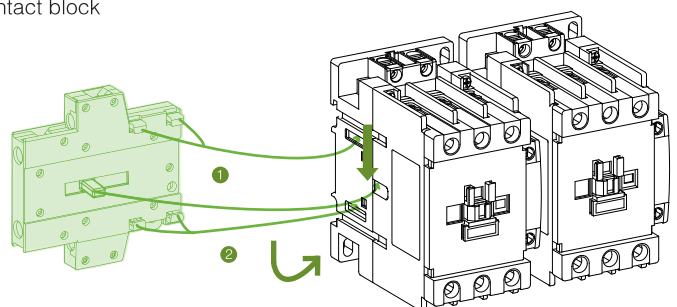


顶部安装辅助触头的安装
Installation of front mounting auxiliary contact block



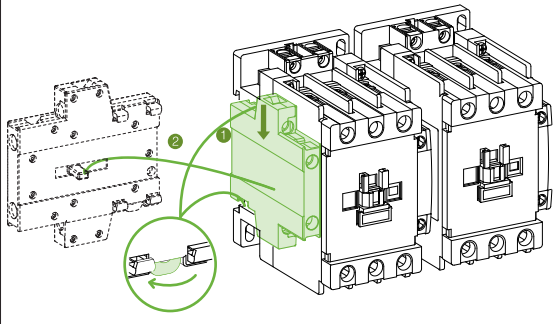
顶部安装辅助触头的拆卸
Uninstallation of front mounting auxiliary contact block

侧部安装辅助触头的安装
Installation of front mounting auxiliary contact block

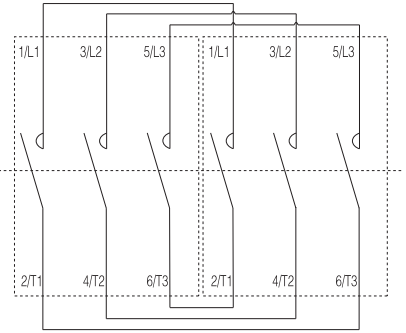
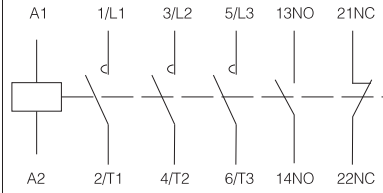


侧部安装辅助触头的拆卸

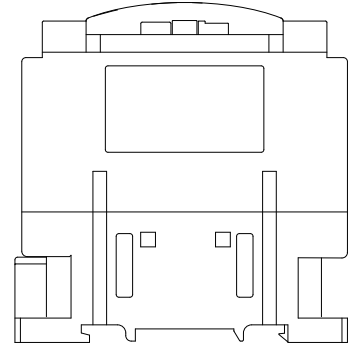
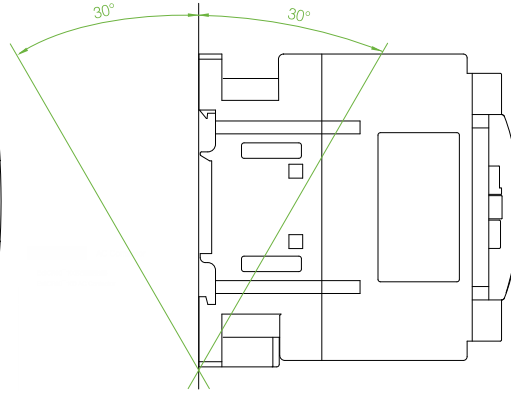
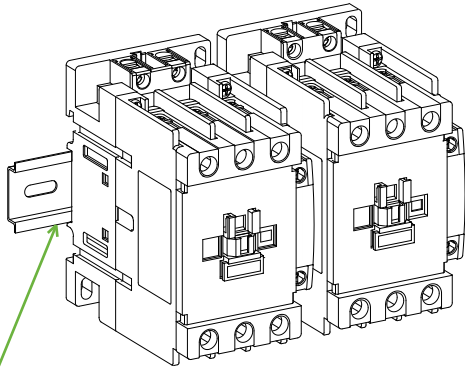
Uninstallation of front mounting auxiliary contact block



D 电气图&接线图 Electrical&Wiring circuit



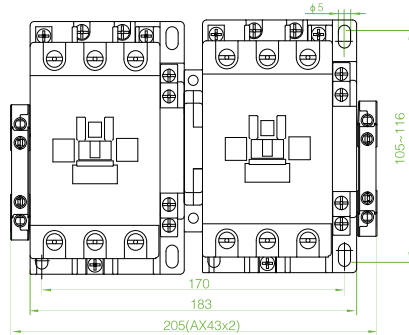
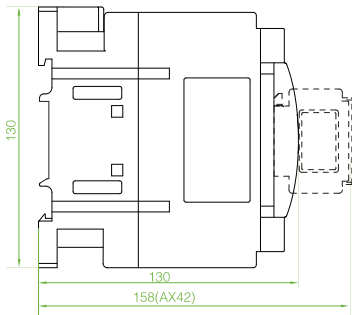
E 安装 Installation



35mm/ 75mm

F 尺寸 Dimension

(mm)



G 其他要求 Other requirements

环境温度

Environmental temperature

贮存 / °C Storage	-60 ~ +80
工作 / °C Normal operation	-5 ~ +60
允许 / °C Permission	-40 ~ +70, 用于在Uc下工作 Working without derating

储存要求

Storage requirements

产品储存超过半年时, 使用前应对其进行检查。

If the product would be stored for more than six months, you should check it before use.

H 拧紧力矩及接线能力 Tightening torque and connection

	M10 9N·m							
			mm ²	mm ²	17 mm ²	mm ²	mm ²	mm ²
			4~50	4~50	4~50	4~50	4~50	4~50
	M3.5 1.7N·m				11 mm ²	mm ²	mm ²	mm ²
			mm ²	mm ²	mm ²	mm ²	mm ²	mm ²
			1~4	1~4	1~4	1~2.5	1~4	1~4

上海诺雅克电气有限公司

NOARK Electrics (Shanghai) Co., Ltd.

地址: 上海市松江区文合路855号

Add: 855 Wenhe Road, Songjiang District, Shanghai

电话: +86-021-3779 1111

Tel: +86-021-3779 1111

客服热线: (Customer Service Hotline)

400-1092-111



采用环保纸印刷

Printed with environmentally-friendly paper

本说明书解释权归NOARK所有。

The expression right of the instructions are owned by NOARK.